



Atlantic Woodworker's Association

AWA Newsletter

April 2013

7129 Morningside Dr., Halifax. Nova Scotia, B3L 2E5

Volume 31 Issue 4



Our meetings take place in the Salvation Army church hall. 171 Pleasant St. Dartmouth. We meet at 7pm.

Mini Challenge for April is titled "UFO" – unfinished object, do you have any unfinished projects that you would like to finish but have been on the back burner. This is your opportunity to take the next few weeks working on those projects, then mark those off your 'To Do List'.

If you are one of those people that keep up-date on all your projects, I could use a few lesson in how to manage that.....

2nd choice: construct one of the past mini challenges that you didn't complete

3rd choice: complete a new project and bring it to the April meeting

Shop – Ideas, Storage, Lay-out, Equipment

Please forward your shop ideas etc. to myself via e-mail at fineshavings.woodworking@gmail.com or commence preparing for the presentation by taking pictures and compiling your ideas etc.

Sheila Eddy



Chair 1: Gary Dumas

A Note form our new Chair

My first duty as the new chair is to thank the members of the past executive for their leadership and support to all our members and to welcome our new board members. We have been slowly increasing our membership and now that we have a real home we will not only grow, but will have new and exciting projects for the future.

Sheila is working hard to come up with new ideas and guest speakers but she can't do it alone. If you have any ideas, bring them forward so we can act on them. Our end of year project is designed to do just that, getting us to think outside the box and come up with some "new thing" with that chunk of wood that

Sheila passed out at the last meeting. The idea is to have fun with wood and surprise all of us with your radical thinking, design or perhaps just a simple project. It's all up to you.....

Thank you for all of your support and I'm looking forward to the next 2 years



Gary Dumas



The Library

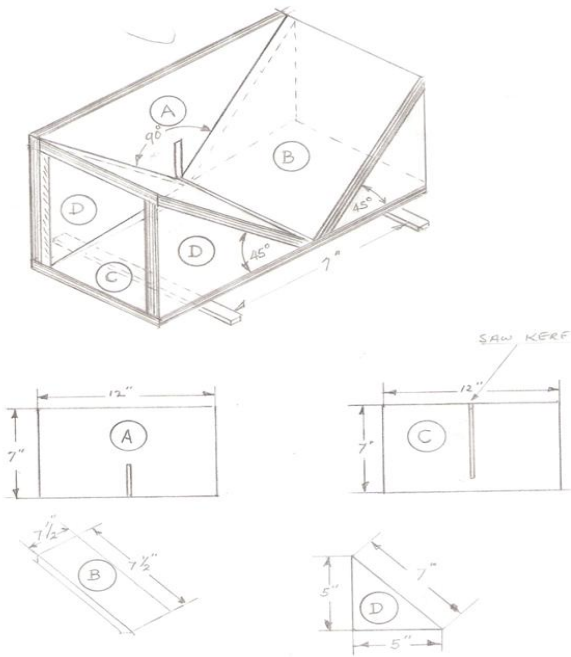
We are continuing to set up the new library cabinet. Since we have disposed of many boxes of magazines and books, we have managed to free up space for our near-complete collection of Fine Woodworking Magazine. This collection is now quite accessible which means, if you want to find articles on a given subject, you can go to the magazine web site and use the available search engine to find out where it is; and then walk your fingers through our collection to find them.

Also, due to the moving, we have a backlog of 17 new books to bring out at our April meeting. Fifteen are gifts from Graham McCullough. Two are books which I purchased on sale at Lee Valley. The titles cover a wide range of subjects: woodturning, woodcarving, ukulele making, kitchen cabinetry, furniture making, handplanes, , whittling, wood finishing, etc.

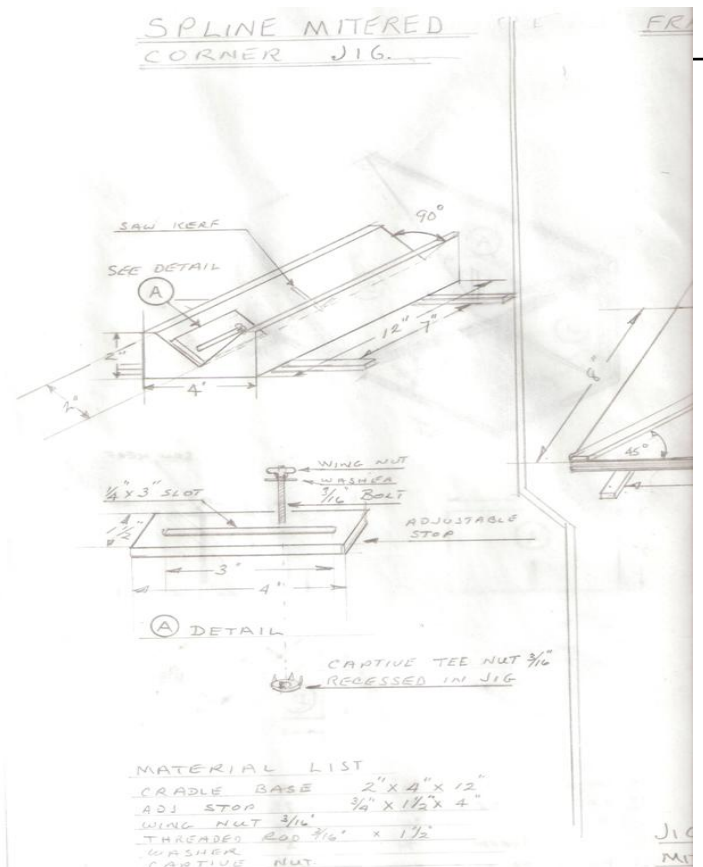
And re overdue books: only three of the sixteen overdue books were returned last month. Please try to scrounge up your overdue library books on the way out the door to our next meeting.

Yours
Dave Schlosberg

Challenge for June, At our March meeting we were challenged with wood scraps of different shapes and sizes. By June meeting we are to show what we transformed our piece of wood into. We should expect to see some interesting items developed with your stylish piece of wood.



- MATERIAL LIST
- (A) BACK BOARD 3/4" x 7" x 12" (1)
 - (B) CRADLE SIDE 3/4" x 7 1/2" x 7 1/2" (2)
 - (C) BASE 3/4" x 7" x 12" (1)
 - (D) CRADLE SUPPORT 3/4" x 5" x 5" x 7" (4)
 - (E) RAILS TO SUIT SAW TABLE



- MATERIAL LIST
- CRADLE BASE 2" x 4" x 12"
 - ADJ STOP 3/4" x 1 1/2" x 4"
 - WING NUT 3/16"
 - THREADED ROD 7/16" x 1 1/2"
 - WASHER
 - CAPTIVE NUT

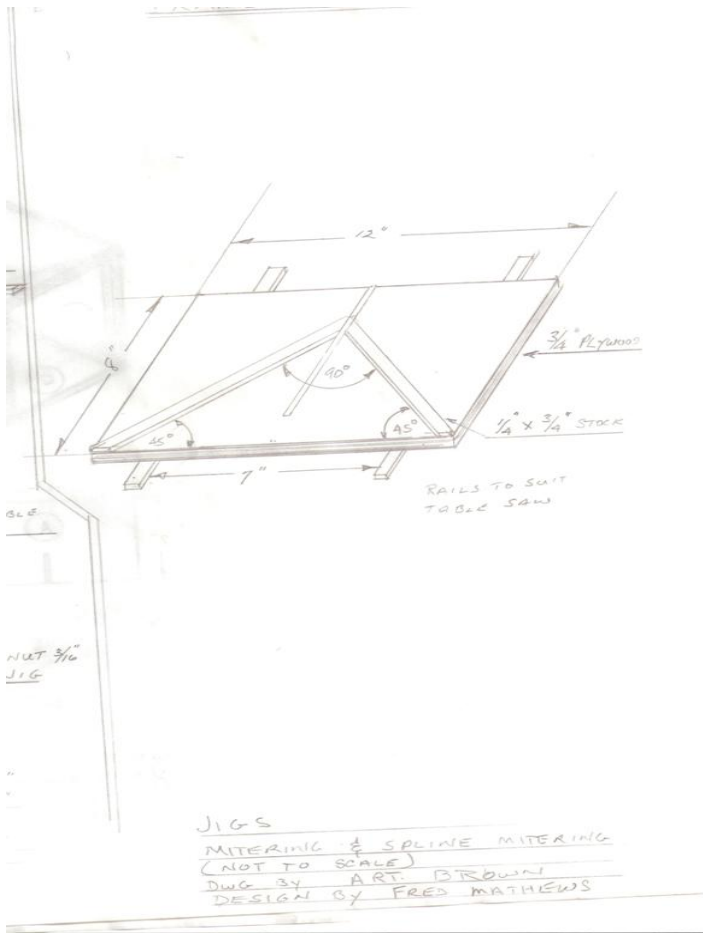
JIG
M
C
D
D



Atlantic Woodworker's

Three Miters by former members

DWG – Art Brown
Design – Fred Mathews





Atlantic Woodworker's

